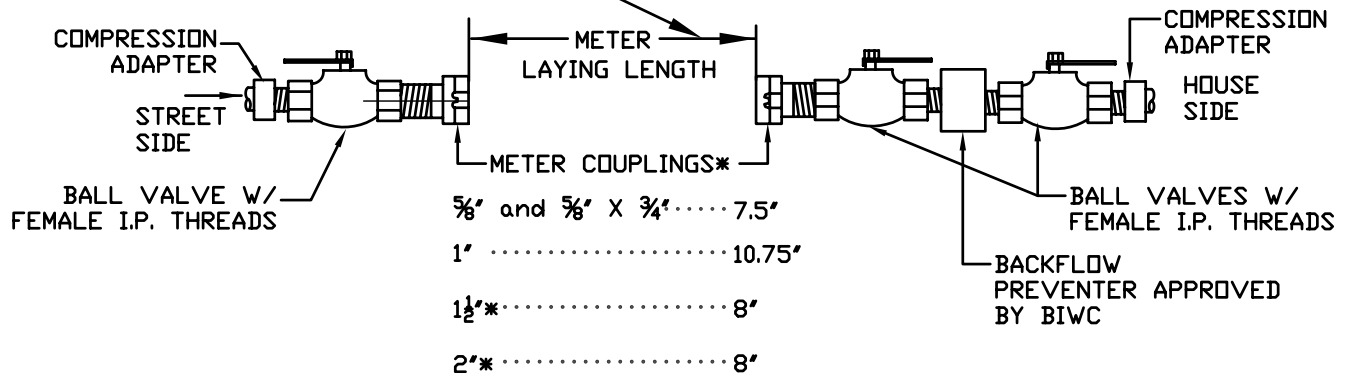


WATER METER INSTALLATION

THE METER LAY LENGTH SHOULD NOT INCLUDE THE METER COUPLINGS



*NOTE: METERS GREATER THAN ONE INCH REQUIRE FLANGED ENDS

WATER METER SETTINGS WITH FITTINGS



*Town of New Shoreham
Water Regulations*

WATER METER

Date: 01-07 | NOT TO SCALE | FIG: W-12